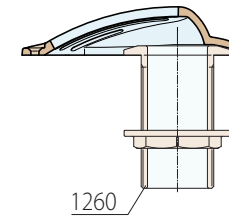
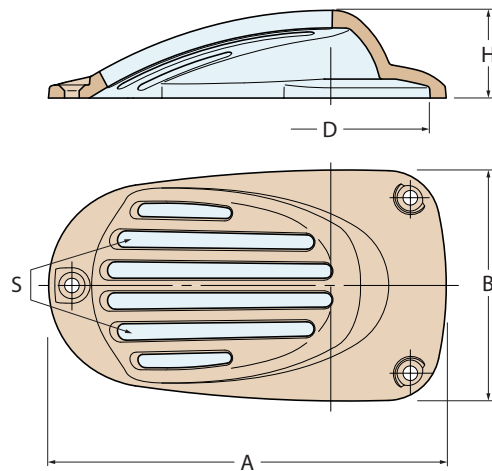


prese e scarichi a mare water intakes and thru-hulls

1261

Cuffia serie "manta"
Water inlet "manta" series

Fig. 1



Bronzo ■
Bronze

1261	■	■	■	■	■	■	■	■	■
Weight (gr)	136	200	300	430	565	810	1270	1850	3120

Fig.	1	1	1	1	1	1	1	1	1
S (cm ²)	5.8	9.5	11.5	19.3	24.9	36	53	70	119.7
D	41	48	58	68	76	90	110	124	152.5
H	20	23	26	30	34	39	46	53	65
B	49	57	68	79	88	102	122	140	174
A	84	102	118	136	154	180	220	255	320
Ref.	1/2"	3/4"	1"	1"1/4	1"1/2	2"	2"1/2	3"	4"